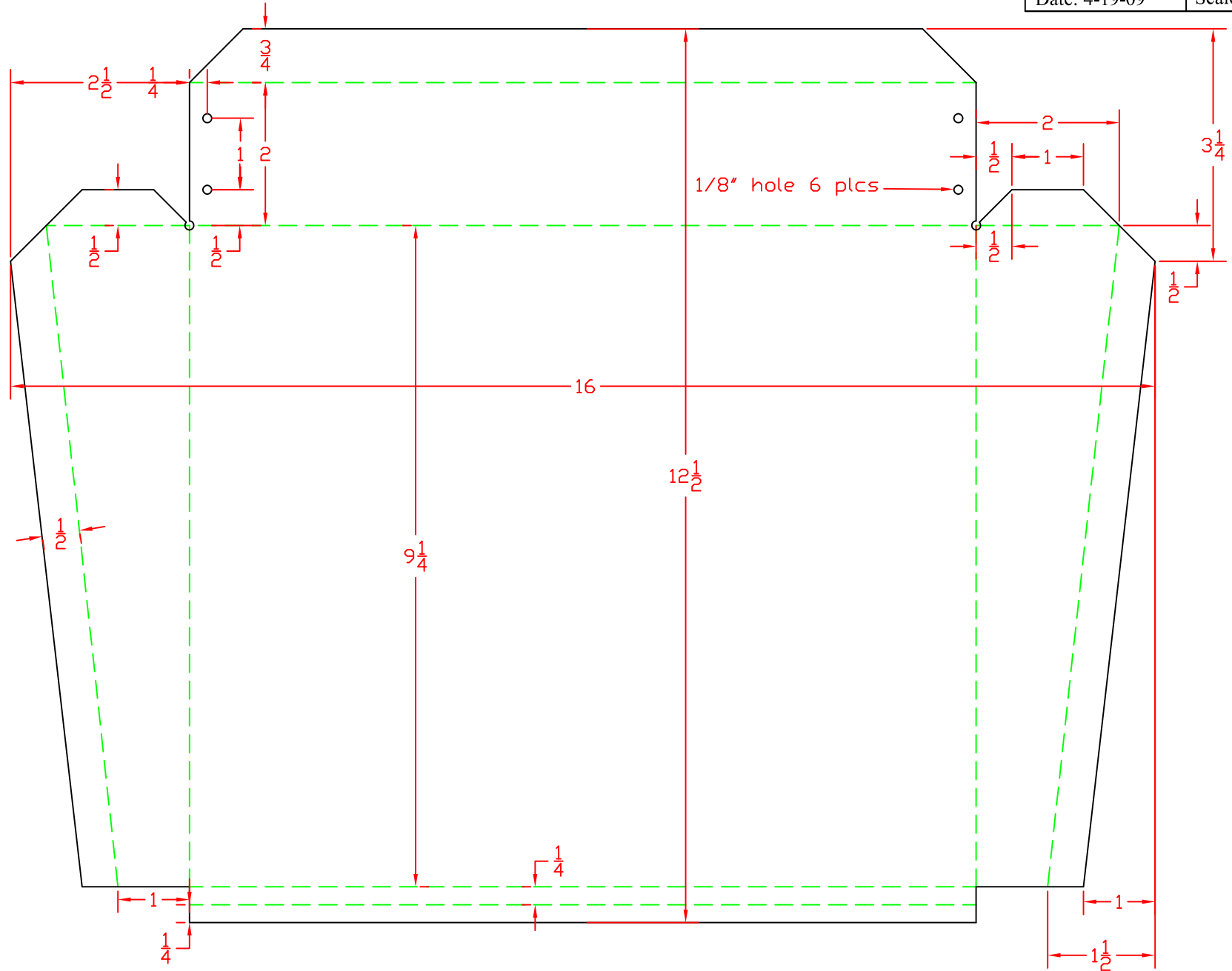


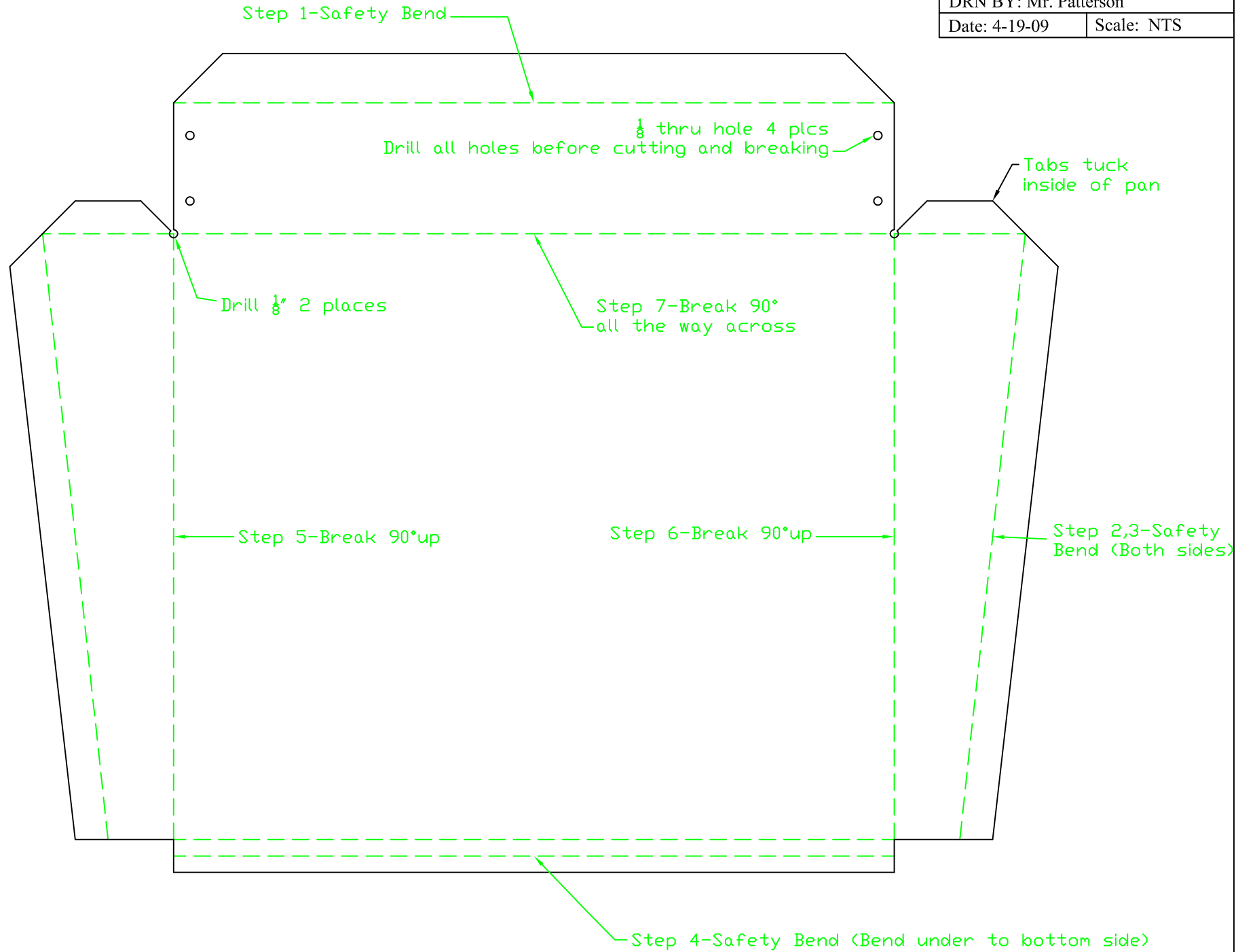
Dust Pan

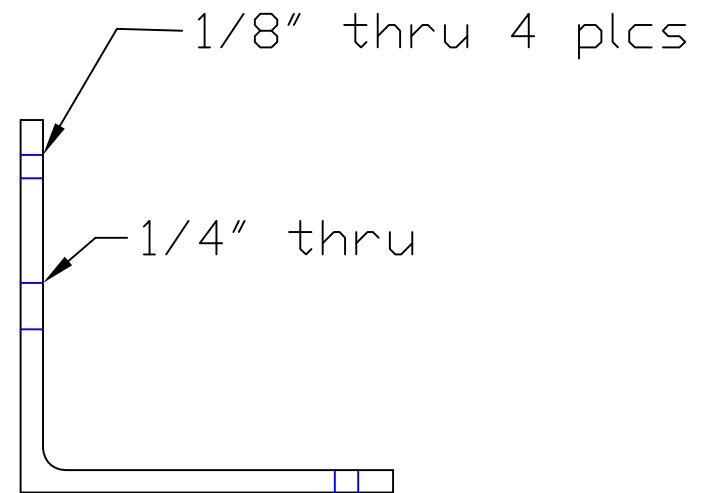
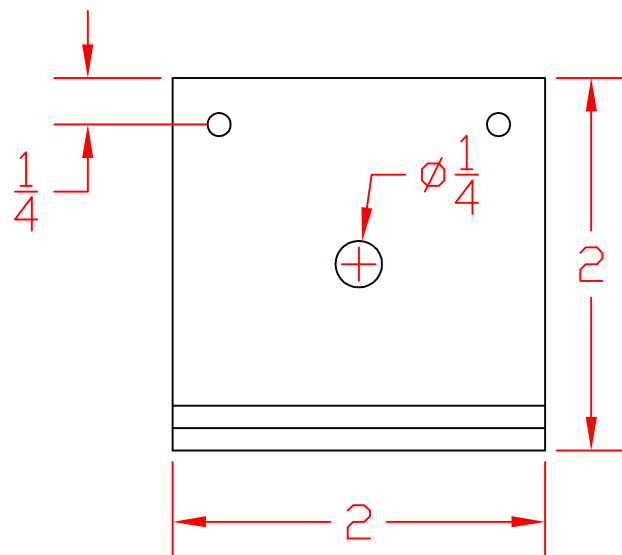
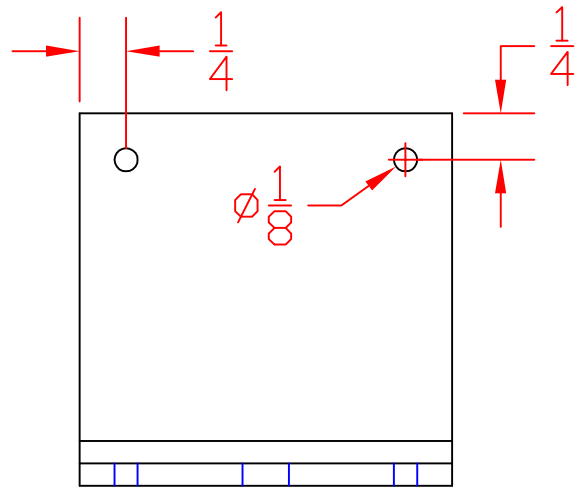
DRN BY: Mr. Patterson

Date: 4-19-09

Scale: NTS







Const Tech 1

Dust Pan Handle

January 23,2007

Materials & Cut list:

1-16x12 $\frac{1}{2}$ " 26 ga. Galvanized sheet metal

1-2"x2"x $\frac{1}{8}$ " angle iron

1- $\frac{1}{4}$ x4 $\frac{1}{2}$ " carriage bolt

1-self locking nut

4- $\frac{1}{8}$ "x $\frac{3}{16}$ " steel pop rivet

