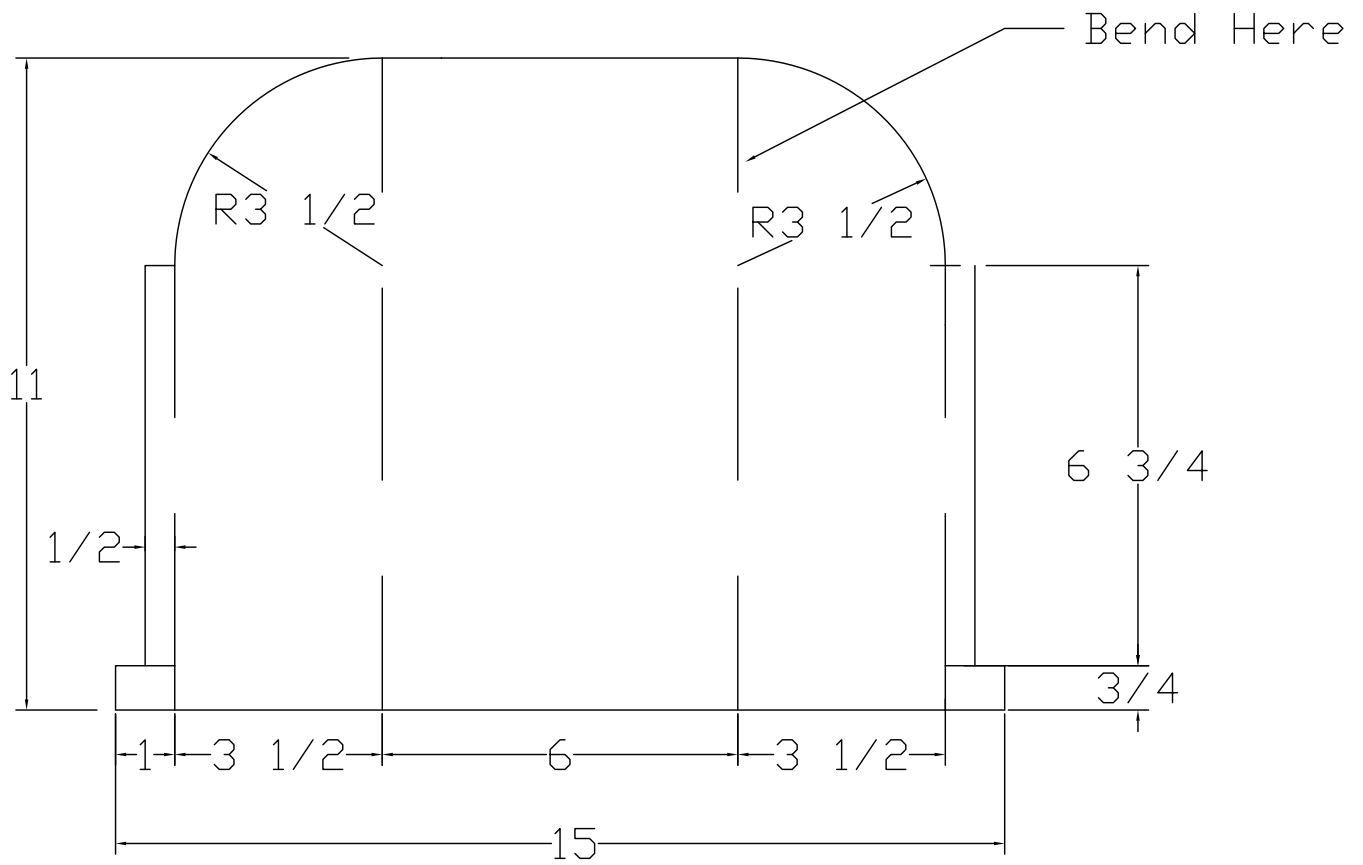


Handle Detail
 Materials: 3/4" pine, 1" dowel



Feed Scoop Sheetmetal Layout
 Materials: 24-26 ga. steel

Feed Scoop
 Drawn by: M. Spiess
 Date: 09/04/98
 Materials: Sheet metal and wood.