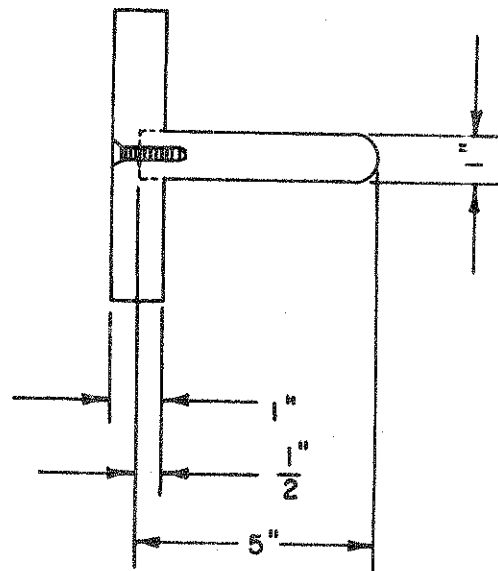
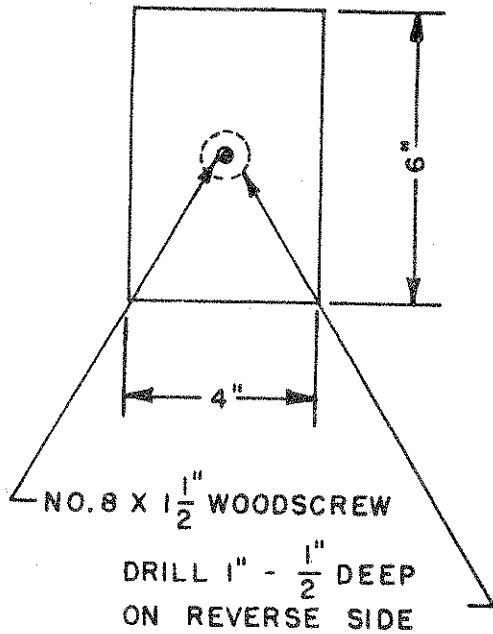


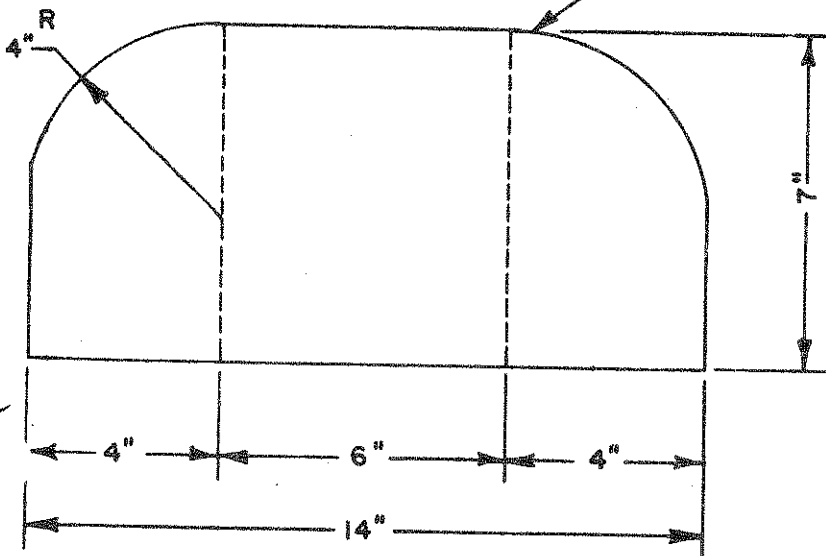
FEED SCOOP

END PIECE - VIEWED FROM  
INSIDE SCOOP

END PIECES - SIDE VIEW



26 OR 28 GAUGE SHEET METAL



FEED SCOOP
SCALE - $\frac{1}{4}'' = 1''$
DATE - 7 MARCH 1966
USED - COURTESY - C. WESTON
DRAWN & TRACED BY - B.W.
PLAN NUMBER - 701