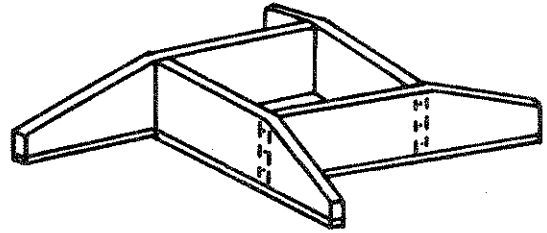
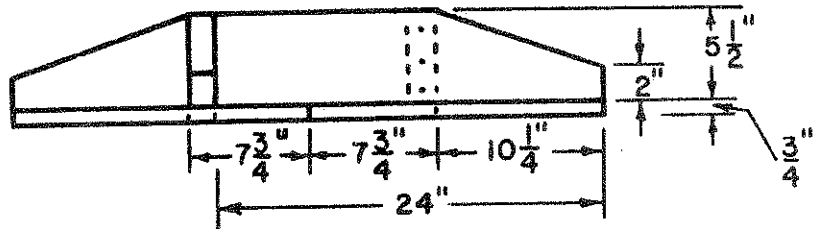
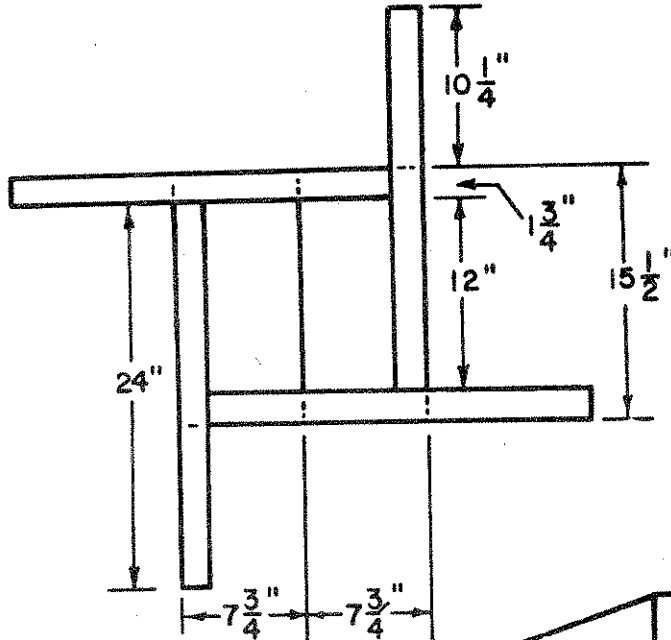


SALT BOX



PERSPECTIVE



Bill of Material

- 1 - 2 x 6 - 8 ft.
- 1 - 1 x 8 - 3 ft.
- 1 - 1 x 2 - 4 ft.
- 12 - no. 16 common nails
- 24 - no. 6 common nails

Bill of Cut Material:

- 4 - 1 3/4" x 5 1/2" - 24" long
- 2 - 3/4" x 7 3/4" - 15 1/2" long
- 4 - 3/4" x 1 3/4" - 10 1/4" long

Procedure:

1. Cut all material to size.
2. Assemble and treat with wood preservative.

Salt Box
Date: 3 January 68
Scale: 1" = 1' - 0"
Drawn by: Marion Kimmons Dale Pontius
Plan No. 304