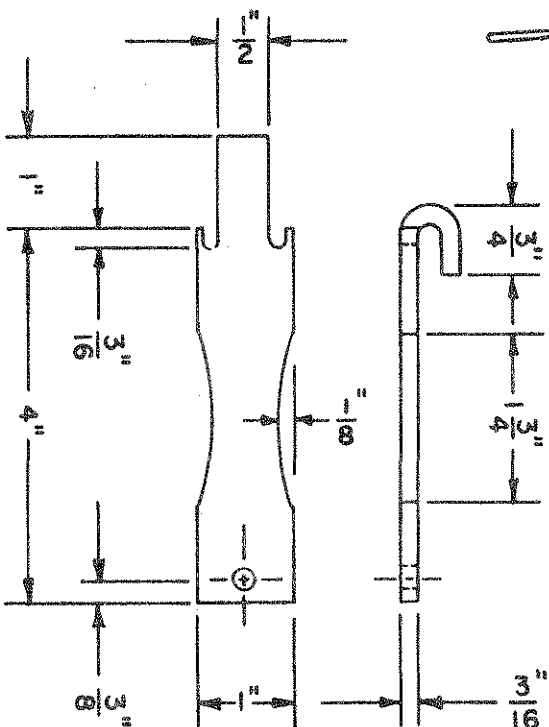
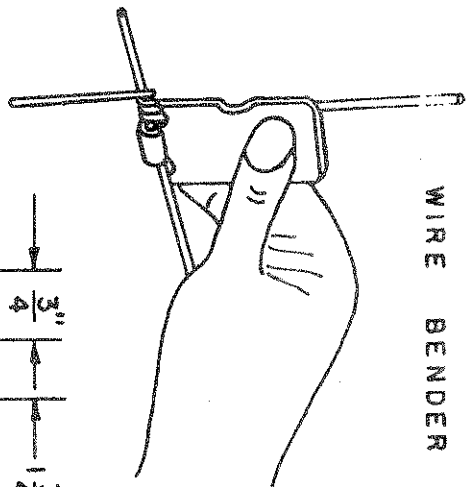
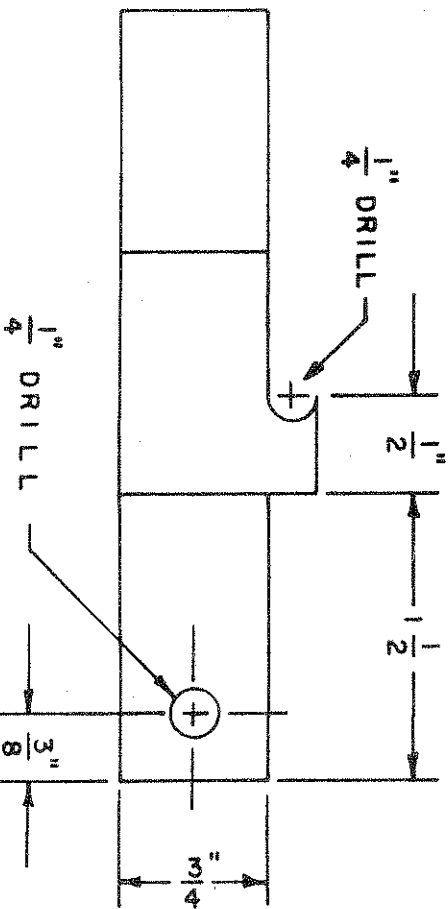


SIDE VIEWS



SCALE - 6" = 1'0"



TOP VIEWS

SCALE - 12" = 1'0"

WIRE BENDER AND SPLICER
SCALE - AS INDICATED
DATE - 13 APRIL 1966
USED - COURTESY - C. WESTON
DRAWN & TRACED BY - B.W.
PLAN NUMBER - 702