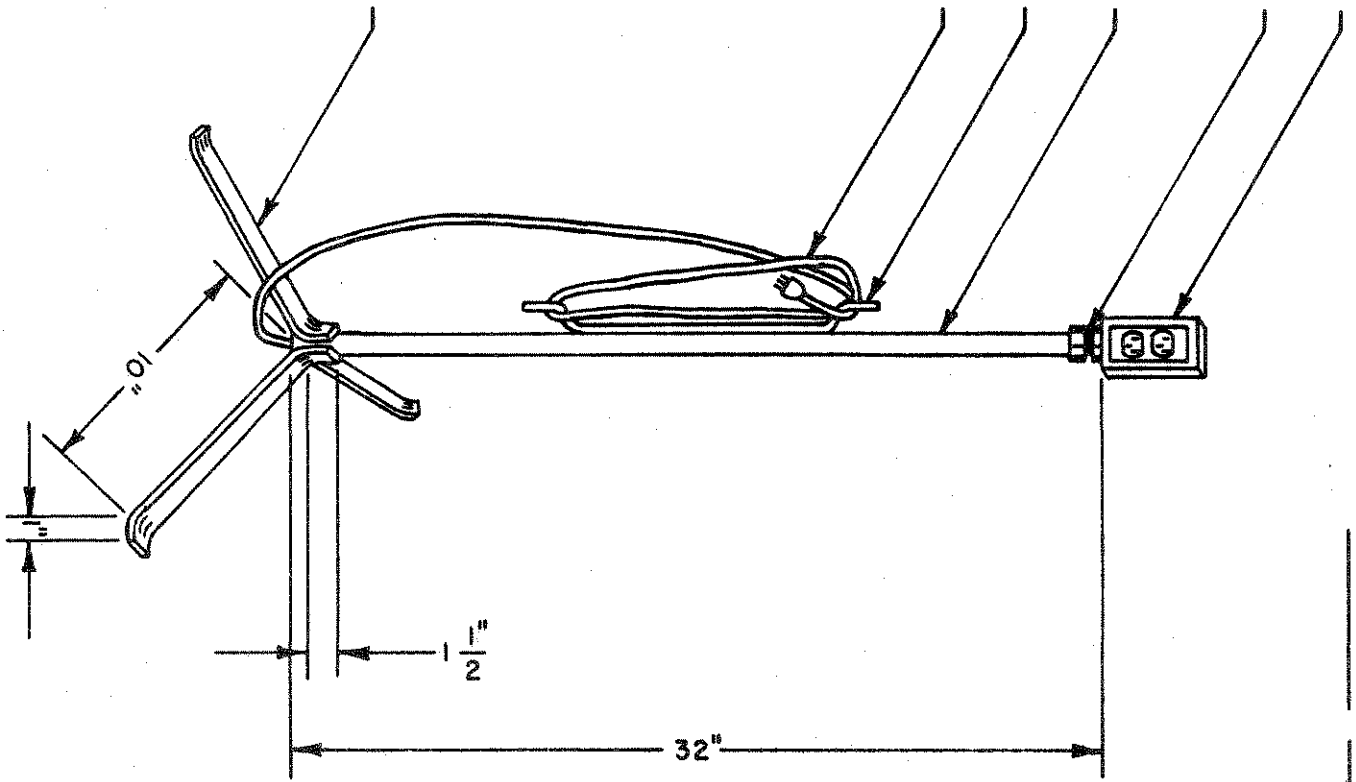


PORTABLE EXTENSION OUTLET

- HANDY BOX
- $\frac{1}{2}$ " BOX CONNECTOR
- $\frac{1}{2}$ " THINWALL CONDUIT
- $\frac{1}{4}$ " ROD - 14" LONG
- 20' NO. 16 GROUNDED EXTENSION CORD.

$\frac{3}{16}$ " X 1" X 12 $\frac{1}{2}$ " FLATMETAL



PORTABLE EXTENSION OUTLET
SCALE - $\frac{1}{8}$ " = 1"
DATE - 30 MAY 1967
USED - COURTESY - C. WESTON
DRAWN & TRACED BY - B.W.
PLAN NUMBER - 109

Bill of Material

- 1 - Surface mount handy box
- 1 - 1/2" box connector for conduit
- 1 - 1/2" x 32" thin wall conduit
- 1 - 1/4" x 14" round mild steel
- 3 - 3/16" x 12-1/2" flat mild steel
- 20' - No. 16, with ground extension cord
- 1 - Grounded receptacle
- 1 - Receptacle box cover
- 1 - Grounded plug cap

Construction Procedure

1. Cut and bend legs, then weld to conduit as shown.
2. Cut, bend and weld 1/4" rod to conduit.
3. Install box connector and handy box.
4. Prepare extension cord and install and wire in receptacle.
5. Paint metal parts with a suitable metal paint