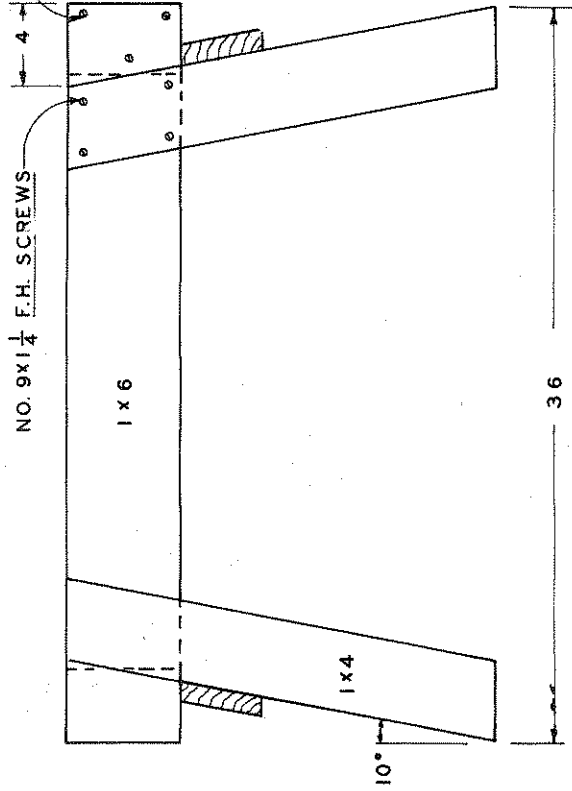
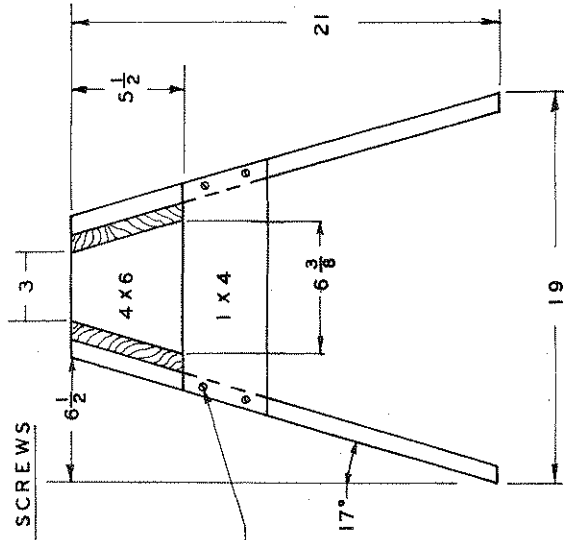
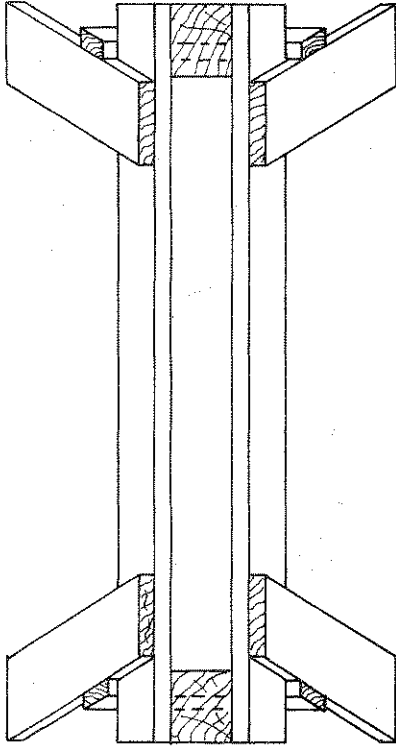


—NOTE—
 CONSTRUCT FROM PINE OR REDWOOD
 USE WOOD GLUE ON JOINTS



CALIFORNIA STATE POLYTECHNIC COLLEGE
 SAN LUIS OBISPO, CALIFORNIA

AGRICULTURAL ENGINEERING DEPARTMENT
 with the cooperation of
 AGRICULTURAL EDUCATION AND AUDIO-VISUAL

OPEN SAW HORSE

DATE 6-60 PLAN NO. 1023