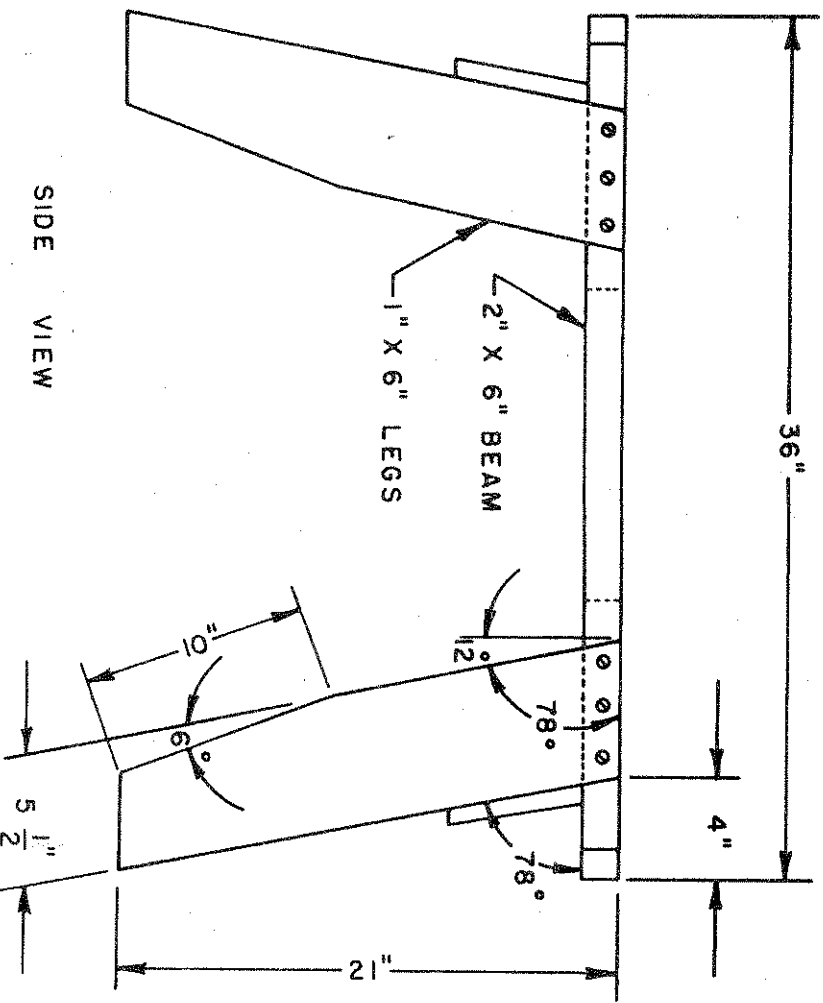


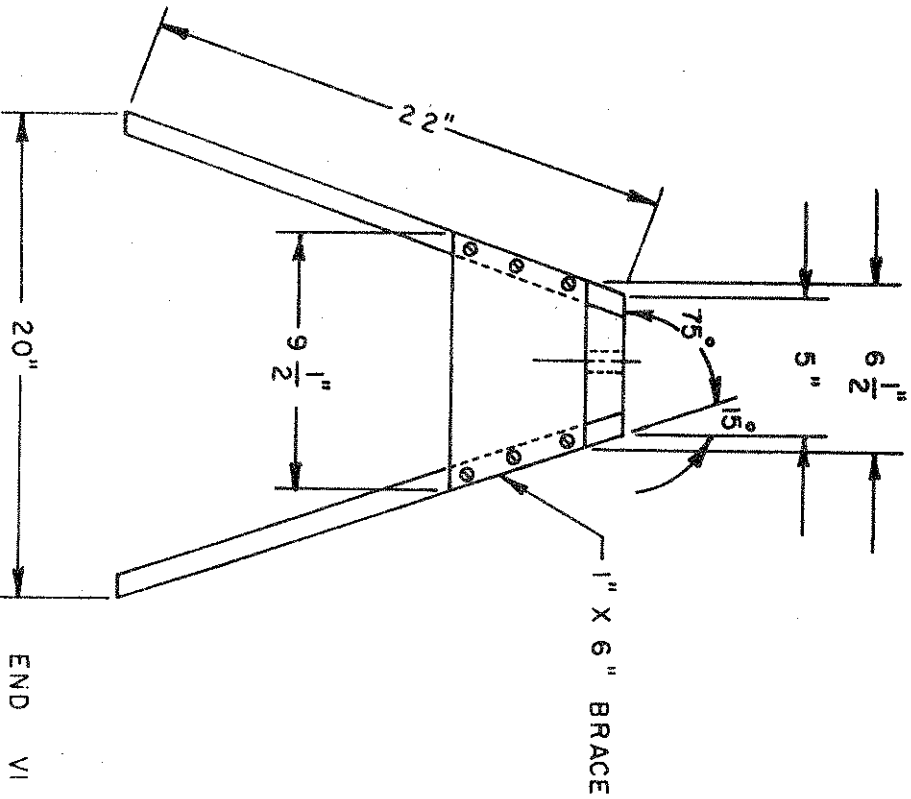
SAW HORSE

TOP VIEW

SAW HORSE
SCALE - $\frac{1}{8}$ " = 1"
DATE - 14 MAY 1967
USED - COURTESY - C. WESTON
DRAWN & TRACED BY - B.W.
DEVELOPED BY - DR. C. JACOBS
PLAN NUMBER - 853



SIDE VIEW



END VIEW

Bill of Material

- 1 - 1" x 6" x 10' lumber
- 1 - 2" x 6" x 3' lumber
- 24 - #12 x 1-1/2" woodscrews

Construction Procedure

1. Saw 2" x 6" beam on table saw with blade set at 15° cut on each side.
2. Mark out and saw the three inch radius on each end of the 2" x 6".
3. Drill the two 1" holes, one foot from each end of the 2" x 6".
Complete slot by cutting with keyhole saw or sabre saw.
4. Mark and cut 1" x 6" legs. Saw blade set in 12° for top and bottom cut on leg.
5. Edge cut can be made by setting saw blade on 15°.
6. Locate, drill and countersink holes for woodscrews.
7. Paint, varnish or finish sawhorse with raw linseed oil.