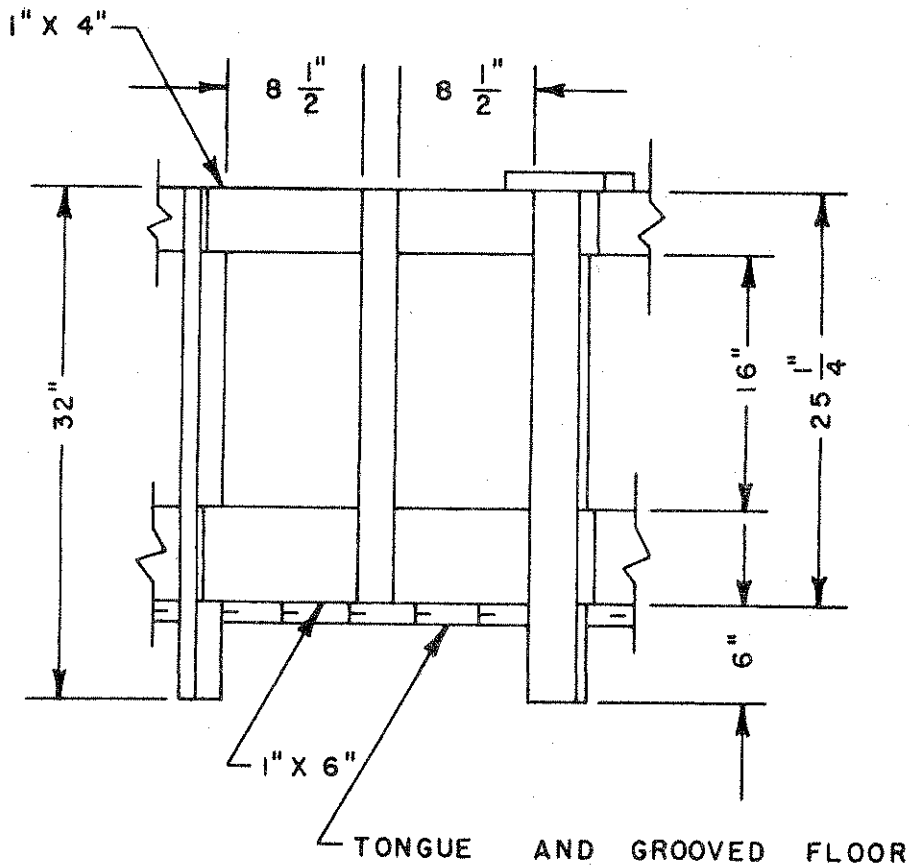
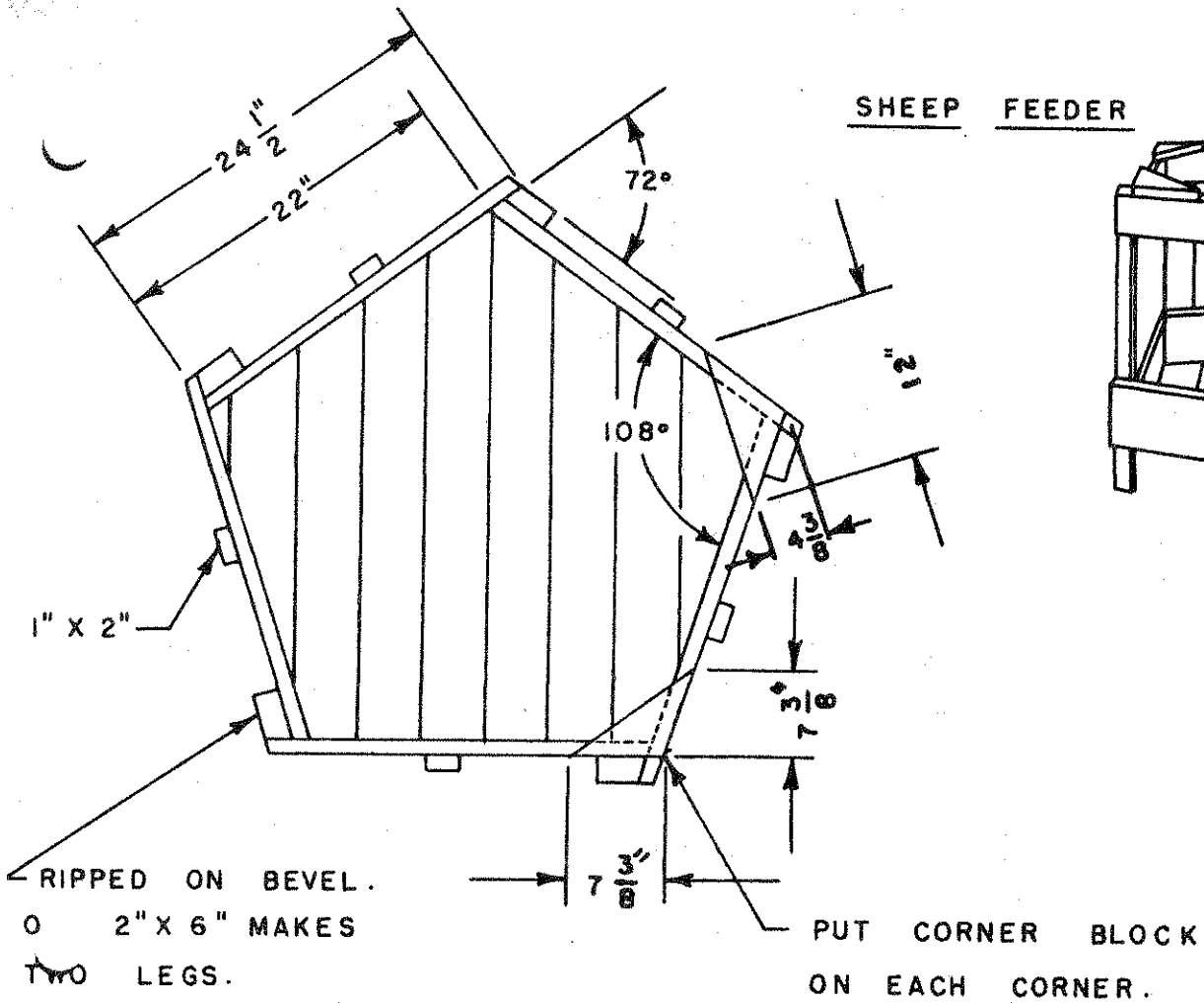
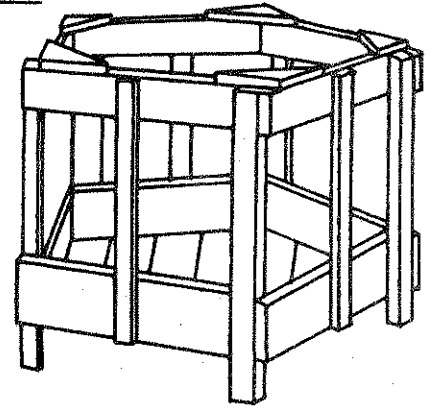


SHEEP FEEDER



SHEEP FEEDER
SCALE - 1" = 1'-0"
DATE - 23 APRIL 1967
USED - COURTESY - C. WESTON
DRAWN & TRACED BY - B.W.
PLAN NUMBER - 250

Bill of Material

- 3 - 2" x 6" x 32" lumber - legs
- 5 - 1" x 2" x 25-1/4" lumber - uprights
- 5 - 1" x 4" x 24-1/2" lumber - top braces
- 5 - 1" x 6" x 24-1/2" lumber - bottom braces
- 3 - 1" x 6" x 8' tongue and grooved flooring
- 1 - 1" x 6" x 5' lumber - corner gussets
- 2 lbs 6d box nails

Construction Procedure

1. Cut legs from 2" x 6" stock. Saw blade set at 18° will give proper angle in ripping out legs.
2. Ends of top 1" x 4" and ends of bottom 1" x 6" braces are cut on same saw setting of 18°.
3. Assemble legs, top and bottom braces.
4. Mark and cut out corner blocks or gussets. These should be installed to keep feeder squared.
5. Cut and install floor. Floor can be made from one piece of plywood.
6. Cut and install 1" x 2" uprights, locating exactly half way between each leg.