

Bill of Material

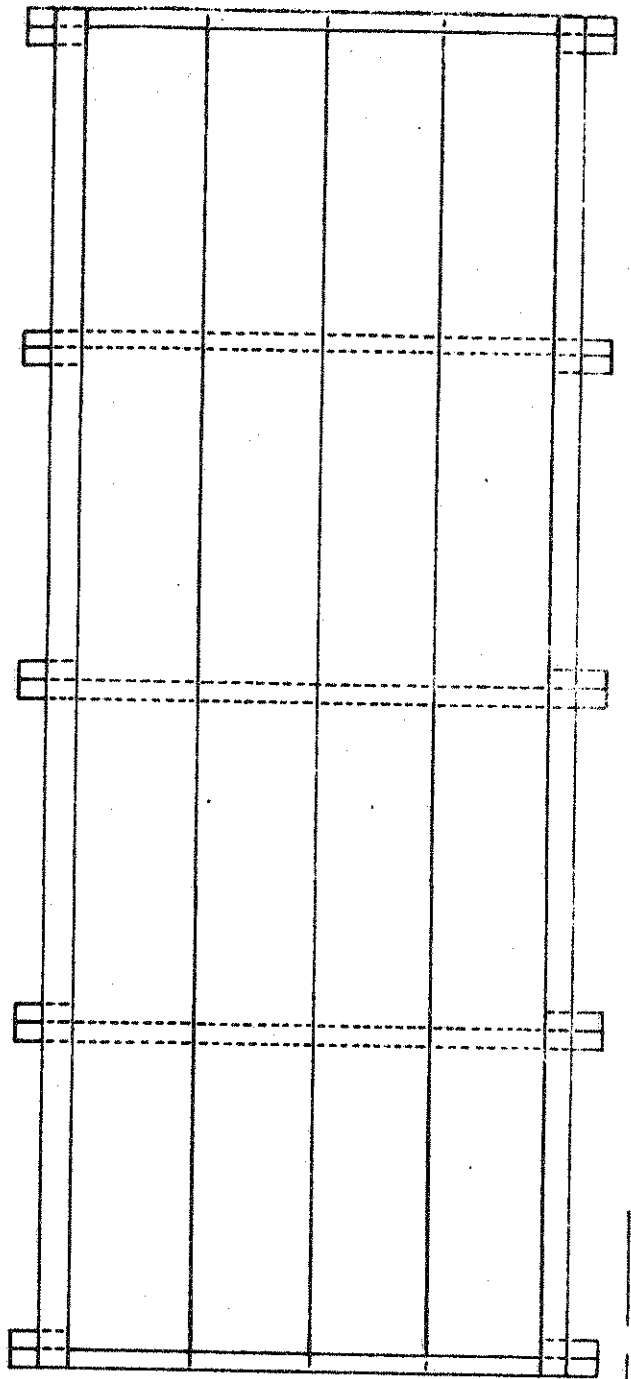
- 2 - 2" x 6" x 12' - runners
- 2 - 2" x 6" x 8' - 8 legs
- 4 - 2" x 6" x 10' - sills and ends of bunk
- 1 - 2" x 6" x 10' - 1 sill and 2 legs
- 4 - 1" x 12" x 12' - (full 1 inch) floor
- 2 - 1" x 10" x 12' - sides
- 2 - 2" x 4" x 12' - top rail
- 1 - 1" x 12" x 12' - (ripped to 1 x 4 for stripping for floor) optional
- 5 lbs nails -- 16d common, 8d common and 6d common

Construction Procedure and Suggestions

1. Mark and cut out runners 12' long.
2. Mark and cut out 10 legs 24" long. (Use 2 - 2" x 6" x 8' and 1/2 of 2" x 6" x 10'.)
3. Mark and cut out 5 sills 5'-0" long. (Use 2 1/2 - 2" x 6" x 10'.)
4. Assemble the five sets of legs and sills. Note: Measure floor boards to find width "A".
5. Stand legs and sills up-side-down and nail runners to them.
Note: Be sure frame is square before nailing securely.
6. Turn right-side-up and assemble floor. Square legs as you nail floor in.
7. Cut and nail on sides. (2 - 1" x 10" x 12')
8. Cut and assemble ends. (2 - 2" x 6" x 10')
9. Cut and assemble top rail. (2 - 2" x 4" x 12')
10. Strip bottom if desired. Note: Nail along one side of crack to allow for shrinking and swelling.
Treat with wood preservative.

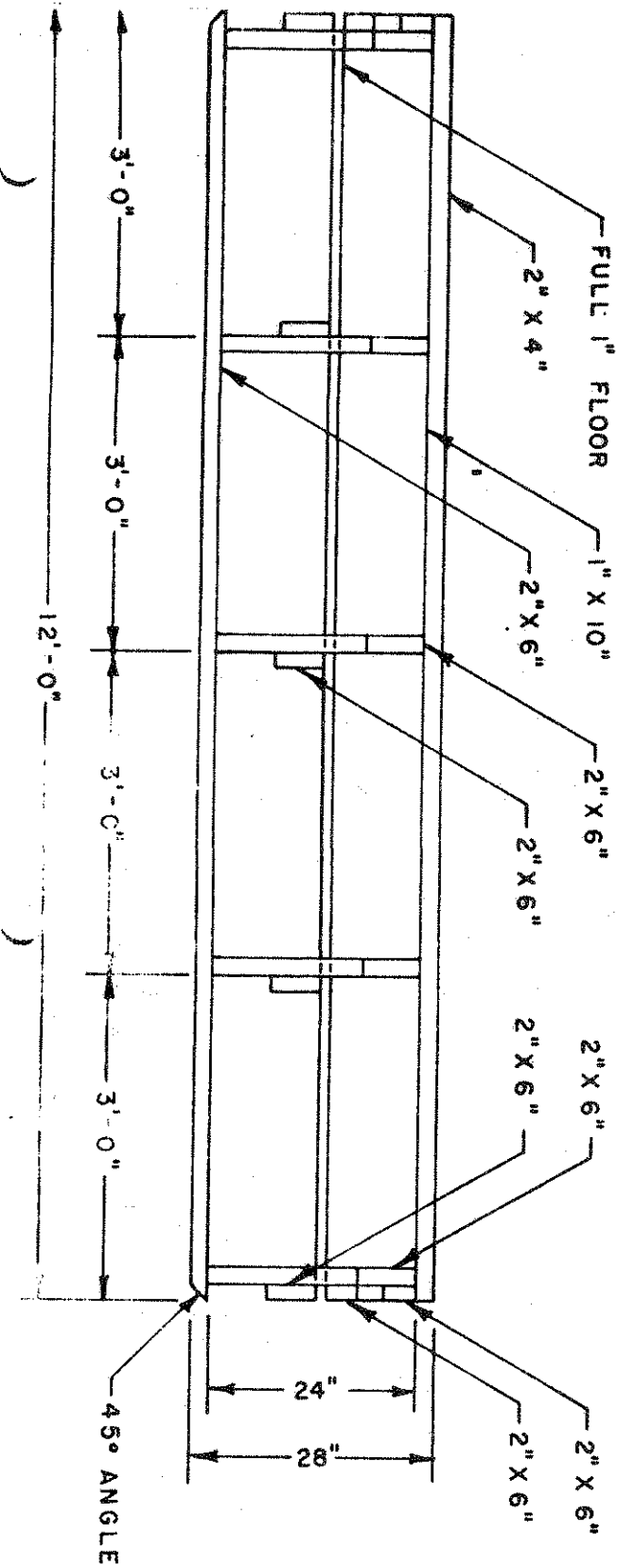
SILAGE BUNK
SCALE - $\frac{5}{8}'' = 1' - 0''$
DATE - 30 MARCH 1967
USED - COURTESY - C. WESTON
DRAWN & TRACED BY - B.W.
PLAN NUMBER - 301

SILAGE BUNK

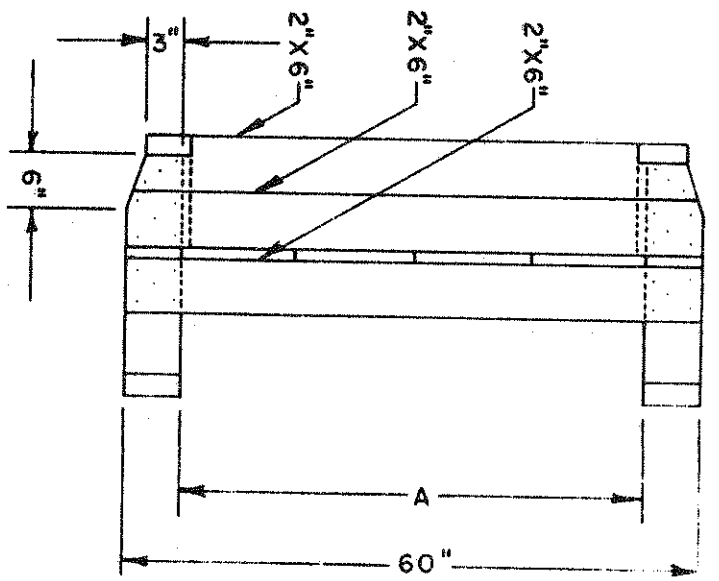


TOP VIEW

SIDE VIEW



END VIEW



<u>Part No.</u>	<u>Description and Suggestions</u>
1	2 - 2 x 4 x 64 long - uprights
2	6 - 2 x 4 x 42 long - cross members
3	2 - 2 x 4 x 55 long - handle cross member
4	1 - 2 x 4 x 54 long - stanchion (Plane 1/8" off of parts no. 4 and 5.)
5	1 - 2 x 4 x 47 long - stanchion
6	1 - 2 x 4 x 50 long - top hinge member
7	1 - 2 x 4 x 26 long - bottom hinge member
8	1 - 2 x 4 x 48 long - handle
9	2 - 1 x 10 x 42 long - spacers (Assemble with 8-penny common nails.)
10	16 - 3/8 x 5 1/2 machine bolts with washers
11	3 - 1/2 x 5 1/2 machine bolts with washers
12	4 - 1/2 x 4 machine bolts with washers

Note: All dimensions are given in inches.

Assembling Instructions:

Assemble parts according to part number.

Treat with wood preservative.

Wooden Head Squeeze
Scale: 1" = 1' - 0"
Date: 1 November 68
Used - Courtesy - Marion Kimmons and Dale Pontius
Mo. Agr. Ed. Plan No. 302