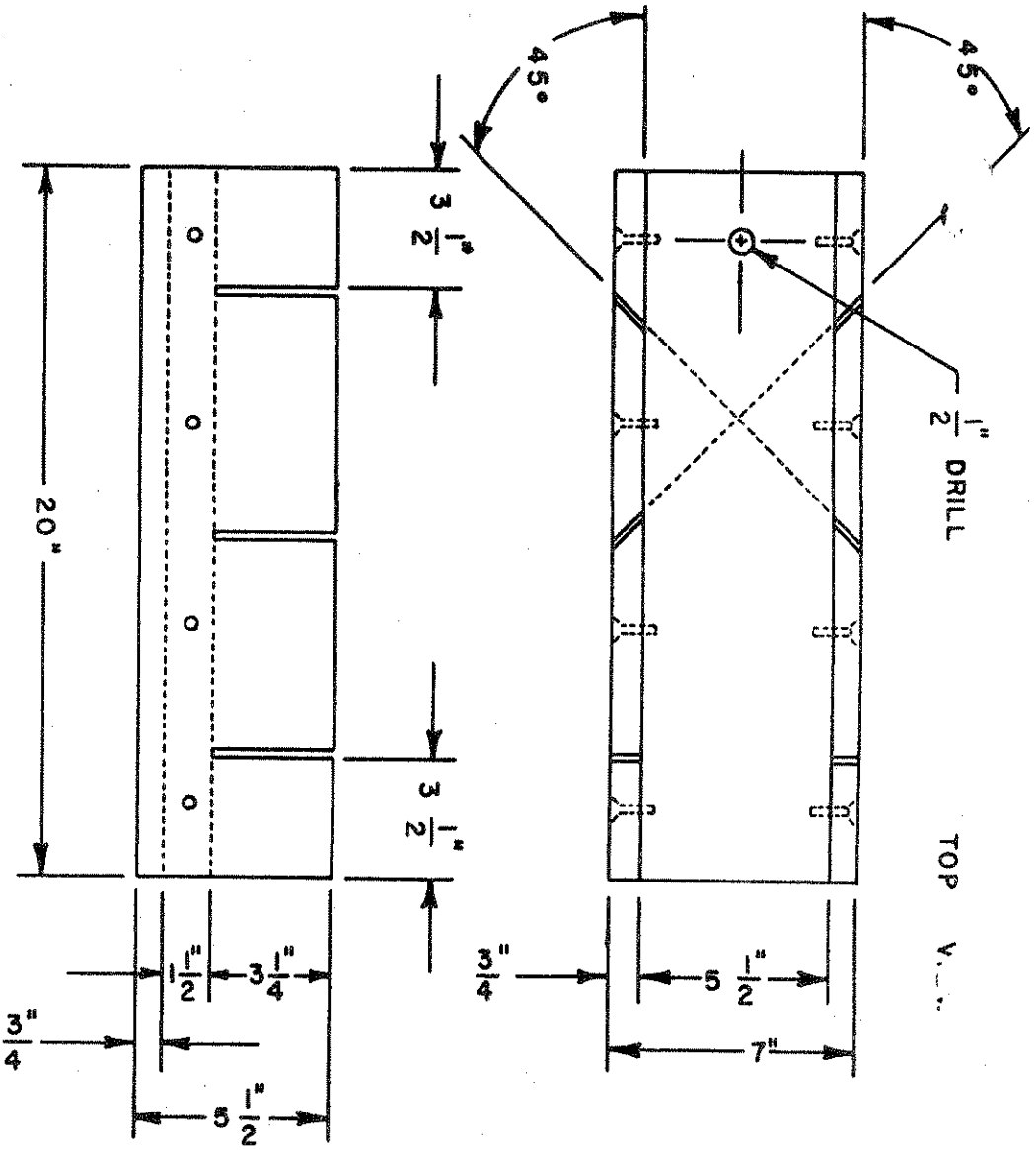
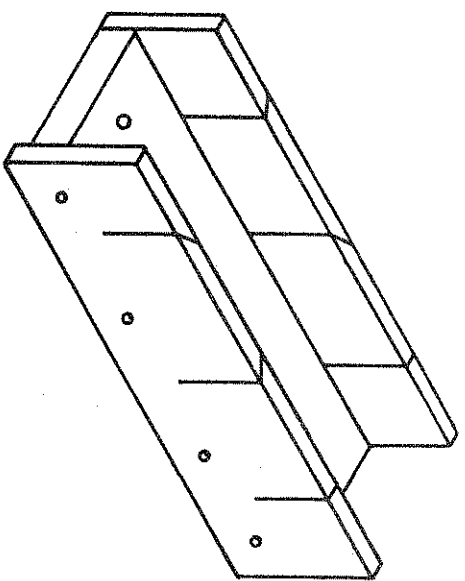


MITER BOX
SCALE - $\frac{3}{16}$ " = 1"
DATE - 24 APRIL 1967
USED - COURTESY - C. WESTON
DRAWN & TRACED BY - B. W.
PLAN NUMBER - 854



MITER BOX



SIDE VIEW

END VIEW

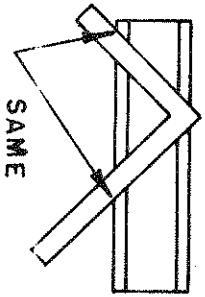
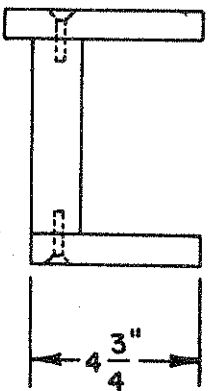
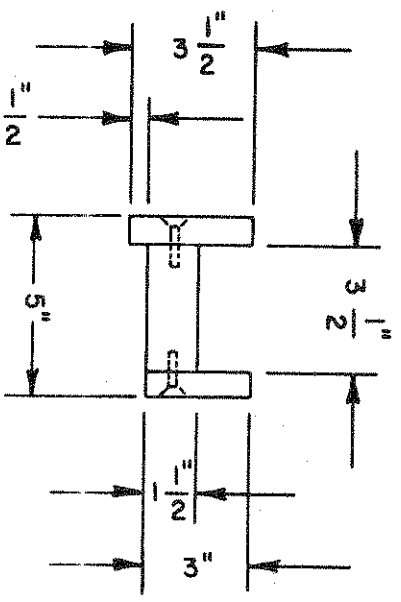


FIGURE ON TONGUE AND BLADE TO LAY OUT 45° ANGLE.



ALTERNATE SIZE - END VIEW

Bill of Material

- 1 - 1" x 5-1/2" x 20" lumber
- 1 - 1" x 4-3/4" x 20" lumber
- 1 - 2" x 6" x 20" lumber
- 8 - 1-1/2" x No. 10 flathead woodscrews

Construction Procedure

1. Mark out and cut materials according to the bill of material.
2. Thickness of lumber may be made thinner than shown in drawing.
3. Be sure bottom board is square, otherwise the miter box will not be accurate.
4. Mark and drill holes to receive woodscrews. Be sure to counter-sink screw heads. Be careful in locating screws so they will not be directly under the saw cuts.
5. Lay out the 45 degree angles very carefully. Cuts may be made with a handsaw, or preferably cut on power saw.
6. Locate and drill hole for hanging or storing the miter box.
7. A suitable finish such as raw linseed oil can be applied if desired.