

TABLE BENCH

CONVERTS FROM GARDEN BENCH INTO PICNIC TABLE.

INSTRUCTIONS

1. Study Figs. 1 and 2 carefully, then cut required parts to length as shown in Fig. 2.
2. Make end frames (See Fig. 1). Assemble parts E and F to part B with bolts.
3. Complete base (See Fig. 1) by assembling G and two A's for seat to end frames (*).
4. Make top. Assemble three A's to end cleats C and center cleat D (*). Cleat positions are shown on part A, Fig. 2.
5. Assemble top to base by inserting carriage bolts through parts C and F.
6. Level base unit and top, then locate and drill $\frac{3}{8}$ " dia. holes through C and F for eye-bolt locks. Lower top into back rest position and drill another hole through C using the previous made hole in F as a guide.
7. Fasten one end of 6" chain to eye-bolt lock, other end to C with small screw. Repeat steps 6 & 7 for other eye-bolt.
8. Apply two coats of marine spar varnish.

(*) Two screws at each joint.

MATERIALS REQUIRED

HARDWARE

- 14 - $\frac{3}{8}$ " dia. X $3\frac{1}{2}$ " Carriage Bolts, Washers, Nuts.
- 2 - $\frac{3}{8}$ " dia. X $3\frac{1}{2}$ " Eye Bolts.
- 2 - 6" lengths small link chain.
- 30 - # 10 X 3" Flat head wood screws.

LUMBER (REDWOOD)

- 3 - 2" X 6" X 12'
- 1 - 2" X 4" X 10'
- 1 - 2" X 4" X 12'

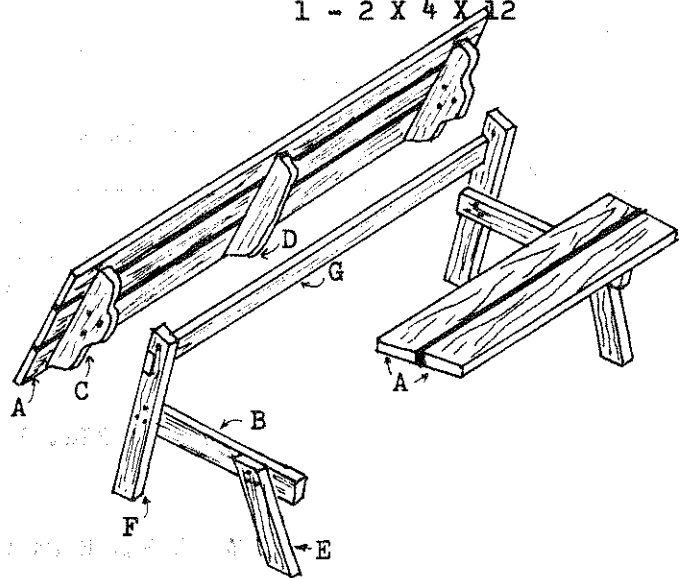
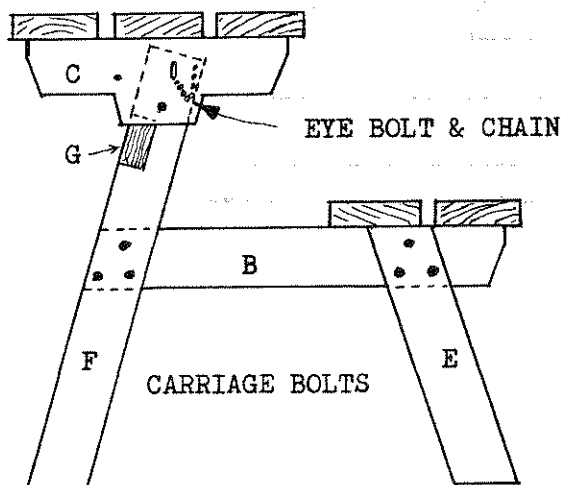


FIG. 1