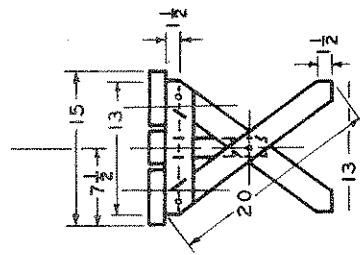
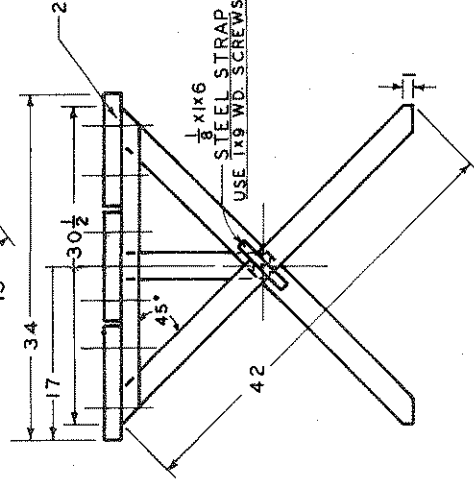
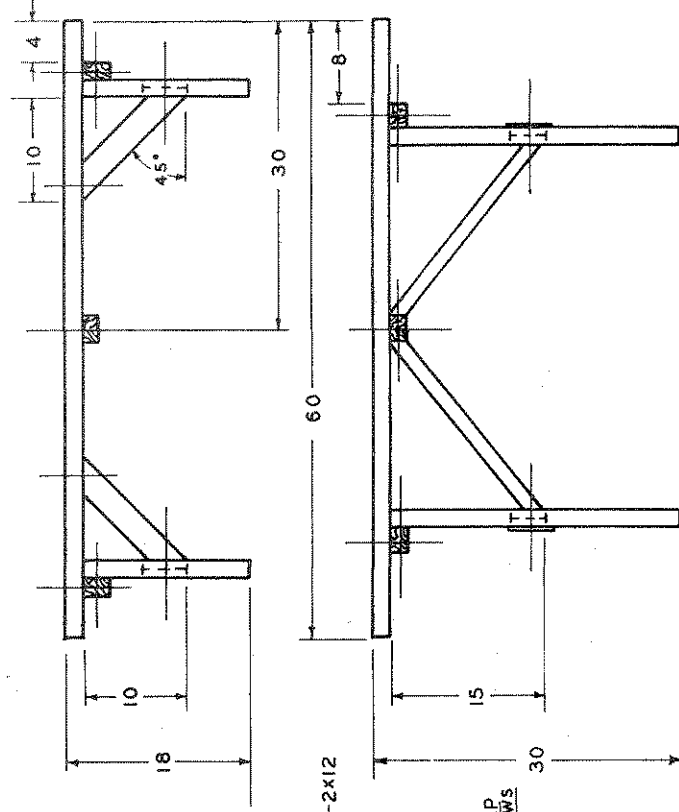


NOTES:
 ALL LUMBER IS SELECT HEART REDWOOD
 ALL STOCK IS 2x3 S4S UNLESS OTHERWISE NOTED
 USE 1/2"x3/2" OR 4 1/2" CARRIAGE BOLTS AS REQ'D. _____



BENCH



TABLE

CALIFORNIA STATE POLYTECHNIC COLLEGE
 SAN LUIS OBISPO, CALIFORNIA

AGRICULTURAL ENGINEERING DEPARTMENT
 with the cooperation of
 AGRICULTURAL EDUCATION AND AUDIO-VISUAL

REDWOOD TABLE

DATE 6-60 PLAN NO. 1021