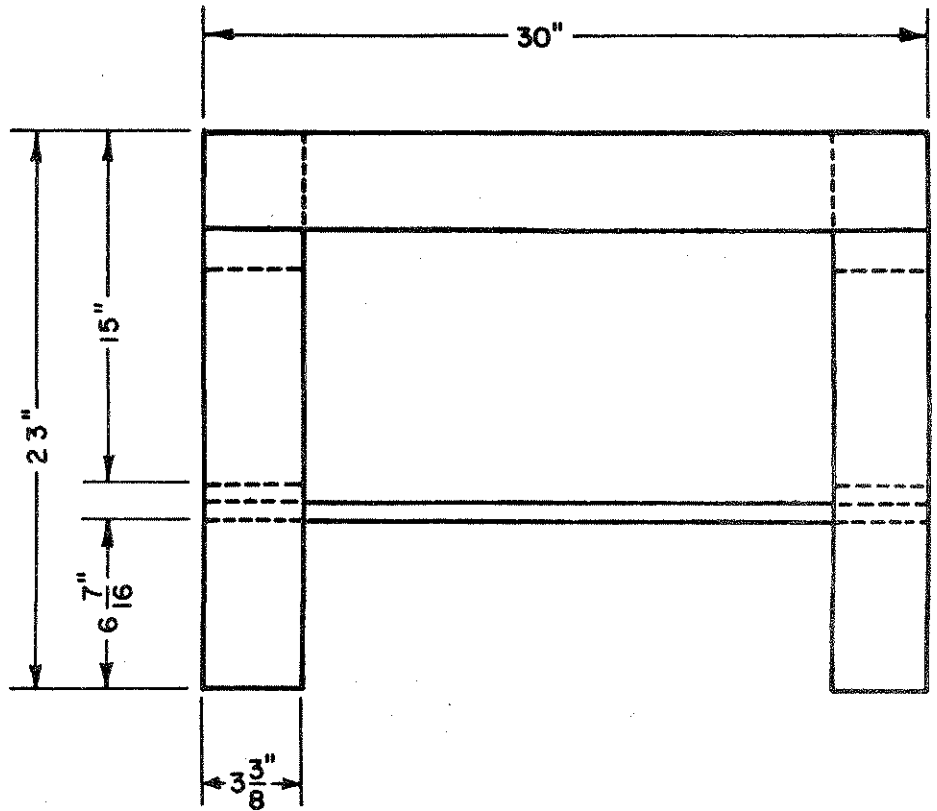
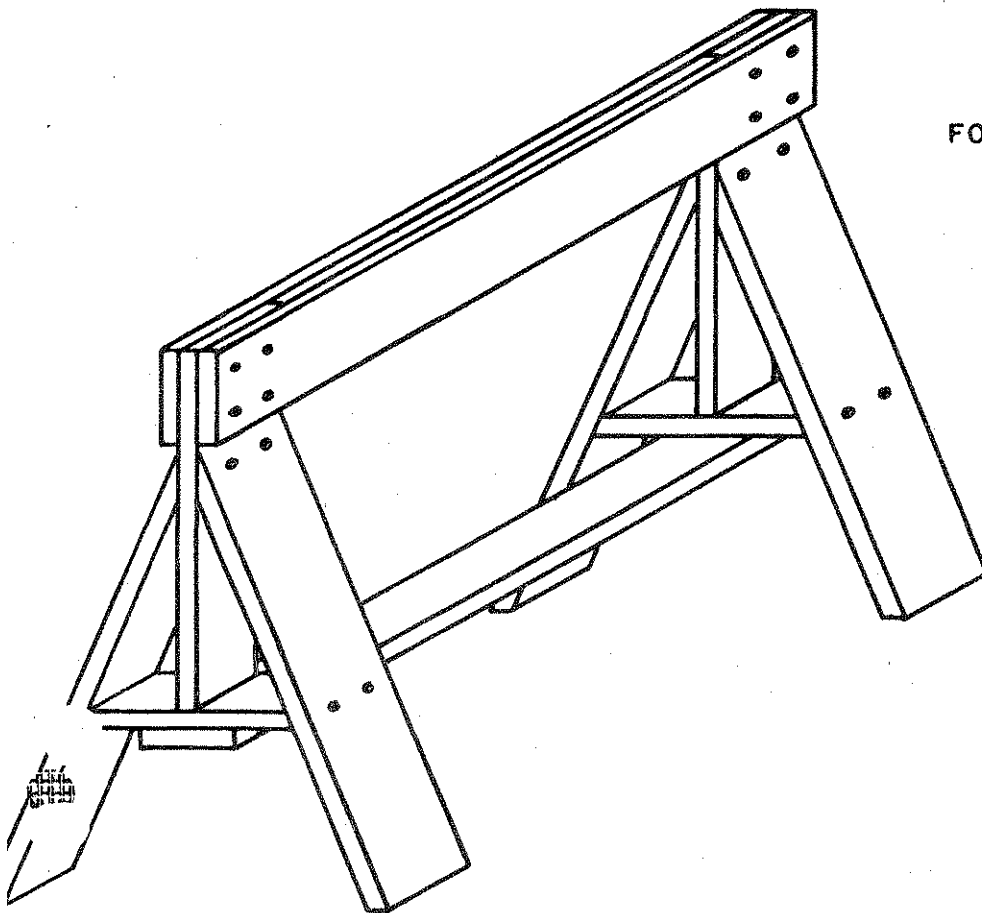


END VIEW



SIDE VIEW

FOR ALL ANGLES USE SQUARE
SETTING 4 & 10



OPEN TOP SAW HORSE
SCALE - $\frac{1}{8}'' = 1''$
DATE - 14 FEBRUARY 1966
USED - COURTESY - C. WESTON
DRAWN & TRACED BY - B.W.
PLAN NUMBER - 852

Bill of Material

3 - 1" x 4" x 30"
3 - 1" x 4" x 15"
2 - 1" x 4" x 9"
4 - 1" x 4" x 20 3/4"
44- No. 8 x 1 1/2" woodscrews

Construction Procedure

1. Select suitable lumber such as white pine.
2. Cut the three 1" x 4" x 30" and the two 1" x 4" x 15" to length and square.
3. Cut the two 1" x 4" x 9" using the square setting 4" and 10". Cut on the 4" side of the square.
4. Cut the 4 legs using the same 4" and 10" square setting using the 10" square setting for the top cut and the 4" square setting for the bottom cut.
5. The 4" and 10" square setting can be transferred to a bevel and the cuts made on the power saw. The top cuts of the legs can be cut on the radial arm saw by setting the board on edge, or on the table saw by standing board on end.
6. Offset screws from each side so that screws don't hit each other.
7. Finish with linseed oil or by painting.