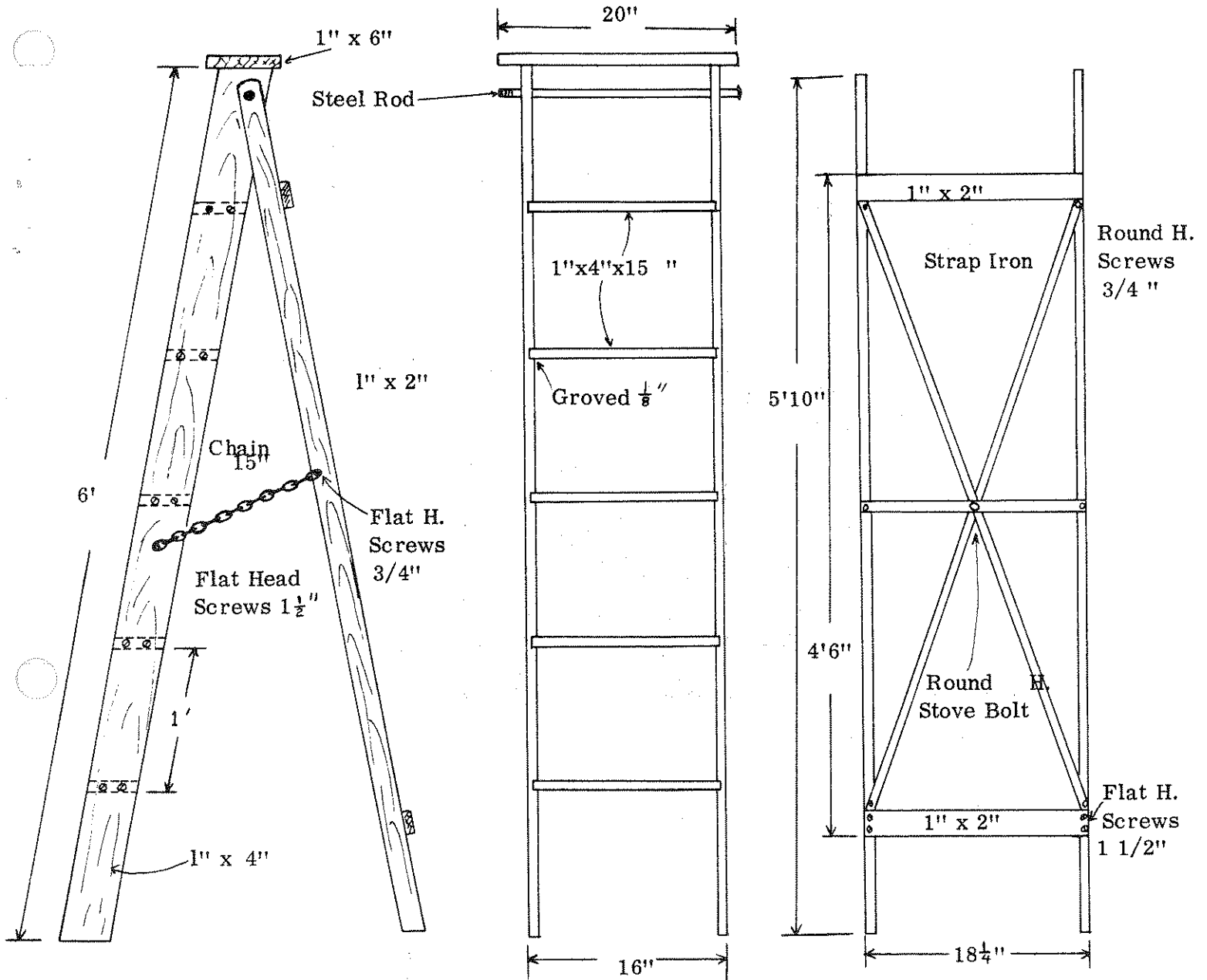


FOLDING STEP LADDER



Bill of Materials

- | | |
|---------------------------------|---|
| 2 - 1" x 4" x 6" | 3/8" x 20" Steel Rod |
| 5 - 1" x 4" x 15 1/4" | 36 - 1 1/2" No. 10 Flat Head Screws |
| 2 - 1" x 2" x 6" | 4 - 3/4" No. 10 Flat Head Screws |
| 2 - 1" x 2" x 18" | 6 - 3/4" No. 10 Round Headed Screws |
| 1 - 1" x 6" x 20" | 1 - 1/4" x 3/4" Round Headed Stove Bolt |
| 11 ft. - 1/8" x 3/4" Strap Iron | |

Compliments of:
 Mr. Elmo Meyer
 Vocational Agriculture Teacher
 Schulenburg, Texas