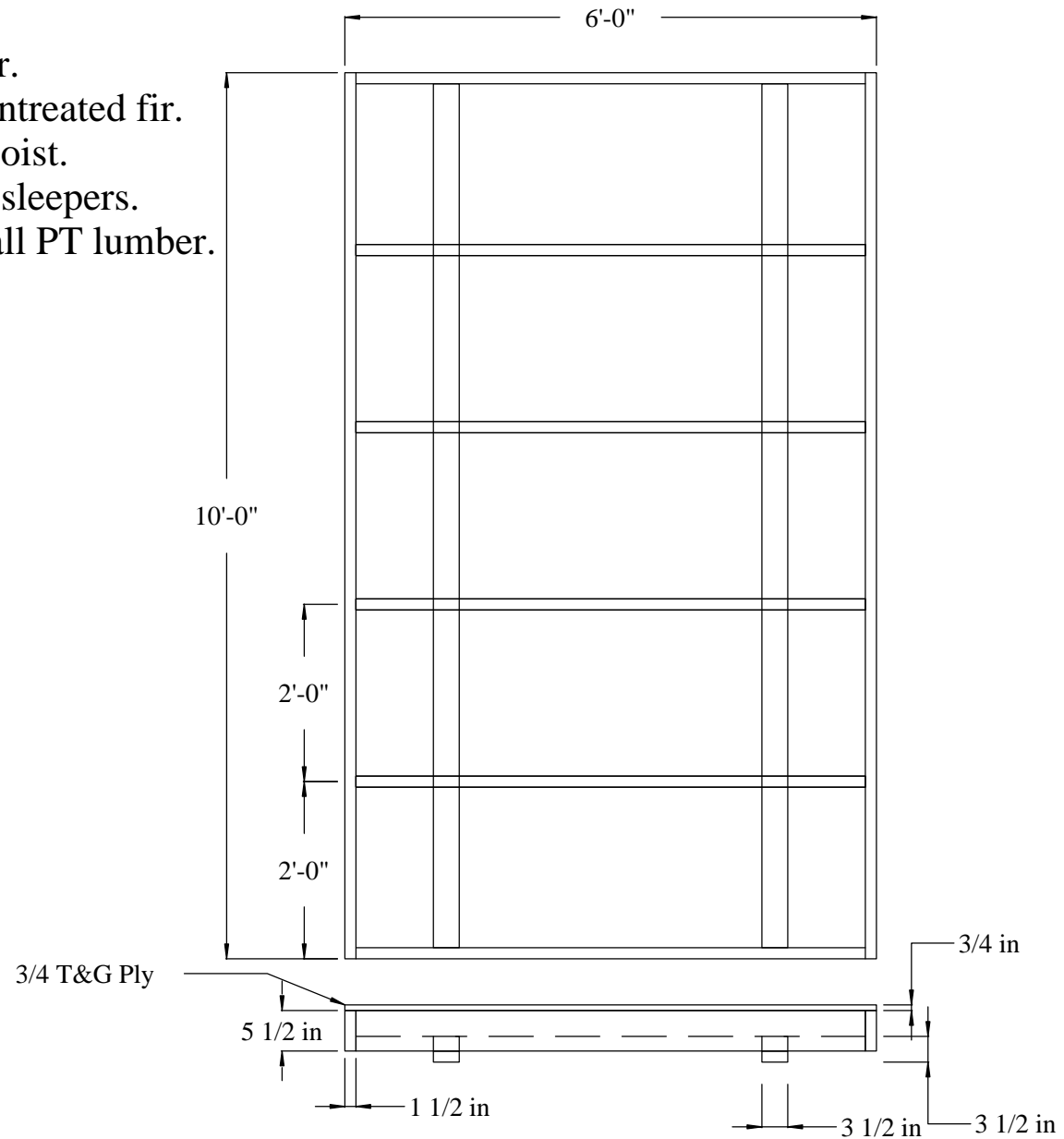


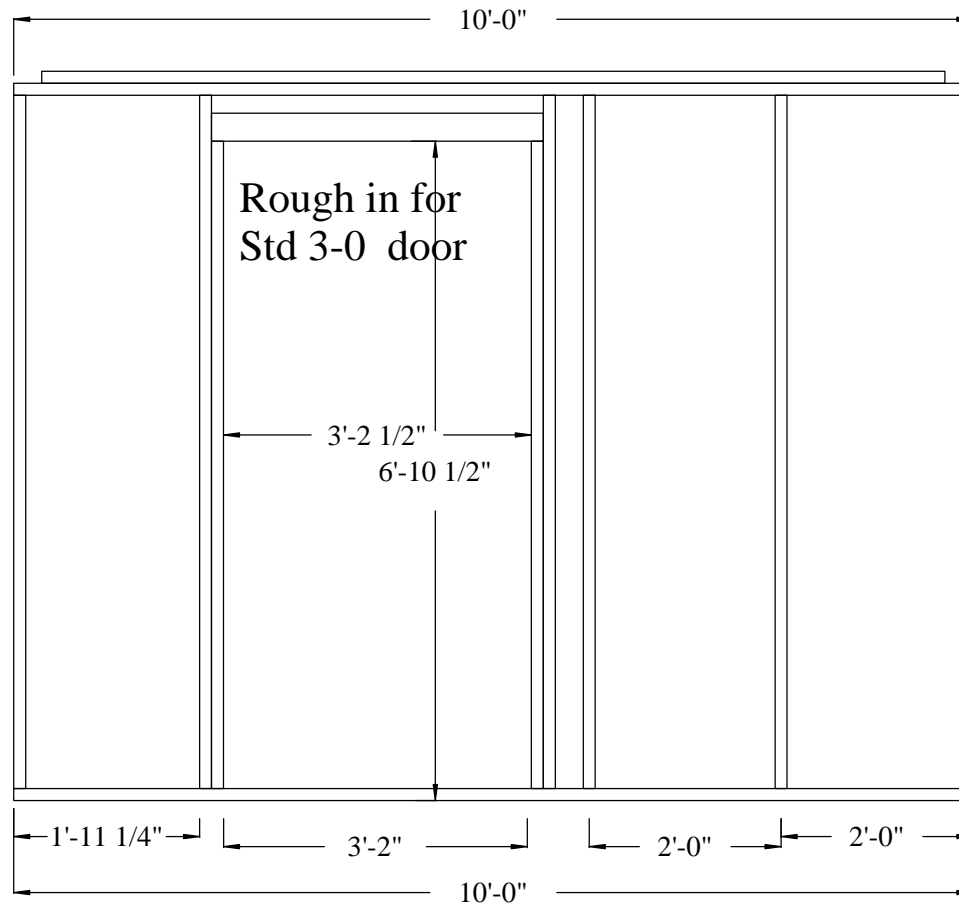
# Floor Framing

Sleepers, box joists PT fir.  
Interior floor joists 2x4 untreated fir.  
End nail sleepers to box joist.  
Toe nail interior joists to sleepers.  
Use galvanized nails on all PT lumber.



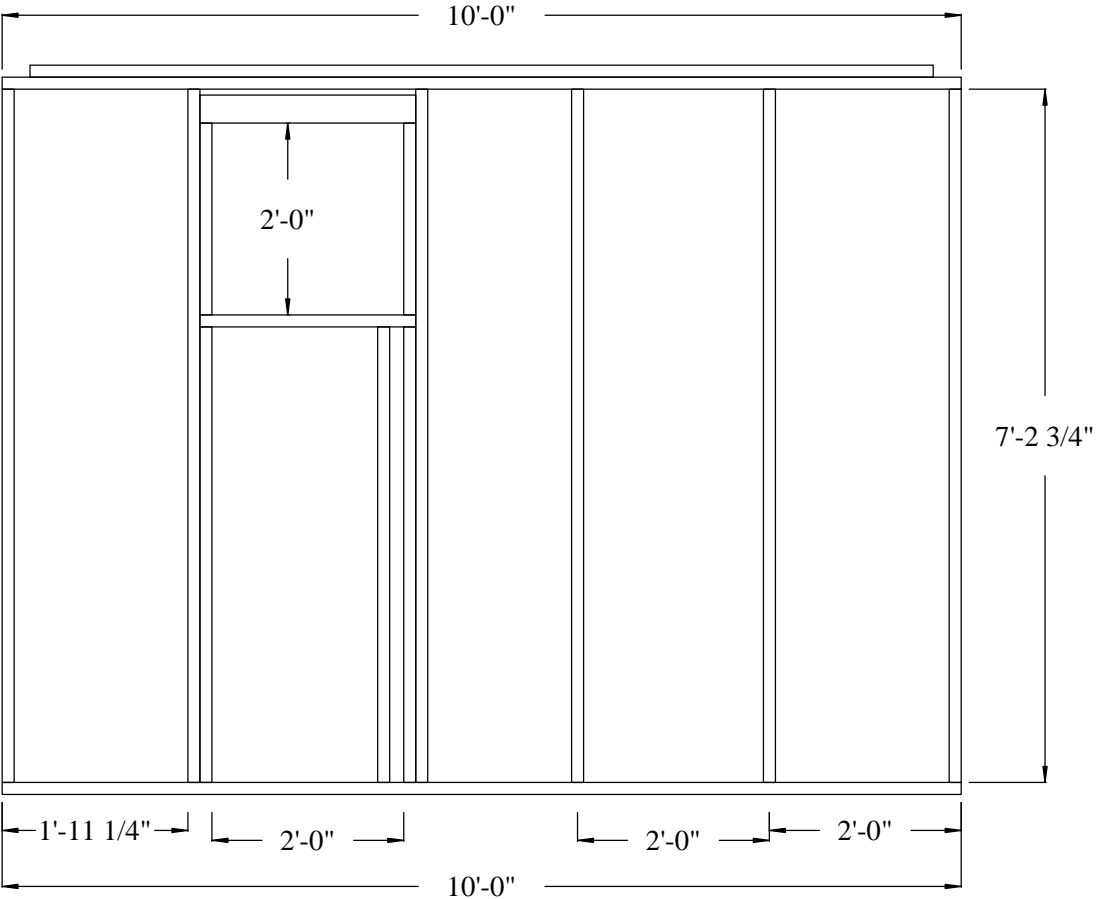
6 x 10 Storage Shed  
Scale: 1/2"=1'  
Drawn By: M. Spiess  
Date: 02/20/15

## Side Wall Framing

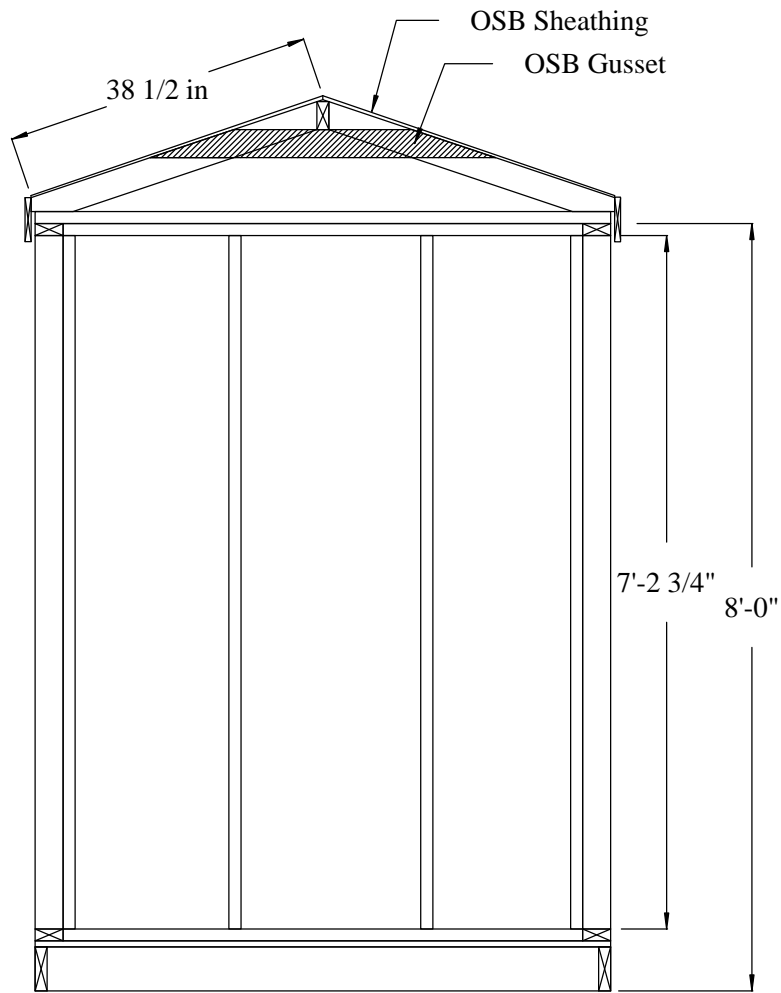


6 x 10 Storage Shed  
Scale: 1/2"=1'  
Drawn By: M. Spiess  
Date: 02/20/2105

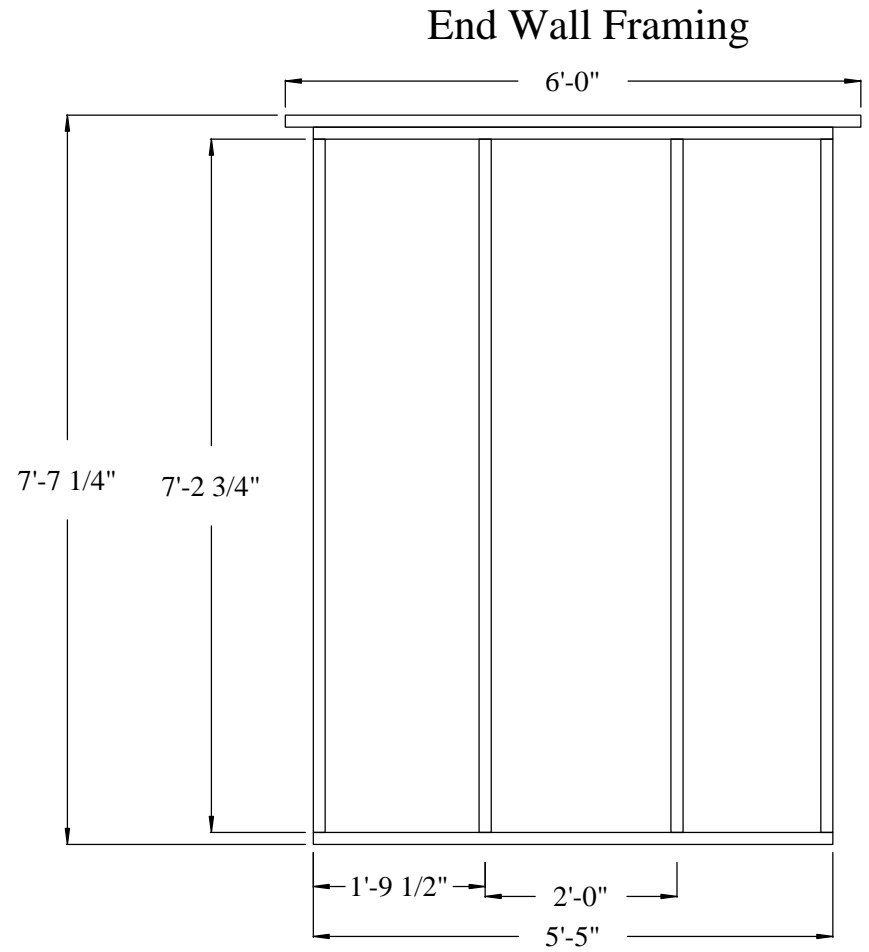
# Side Wall Framing



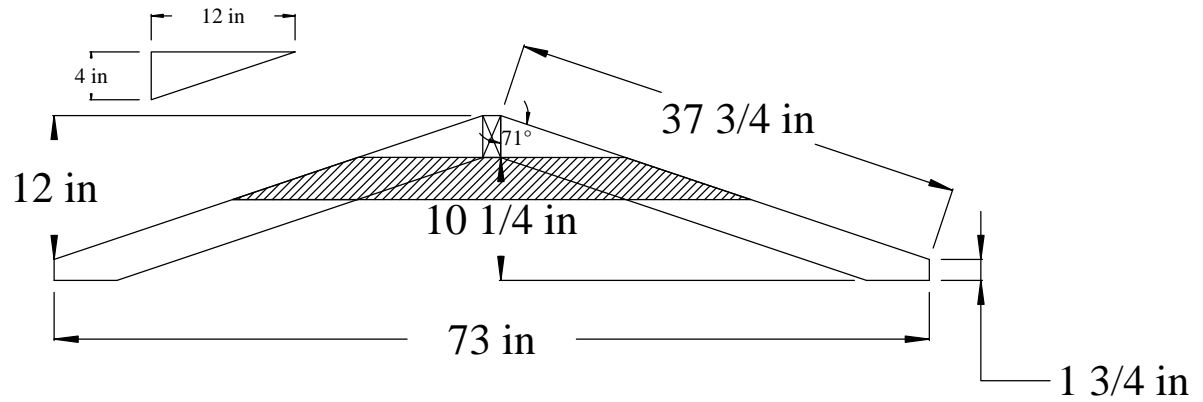
6 x 10 Storage Shed  
Scale: 1/2"=1'  
Drawn By: M. Spiess  
Date: 02/20/2015



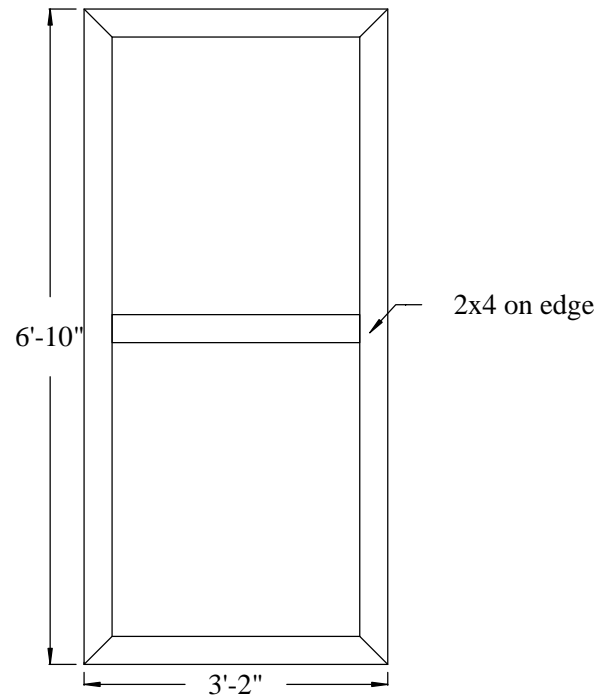
Roof Detail



6 x 10 Storage Shed  
 Scale: 1/2"=1'  
 Drawn By: M. Spiess  
 Date: 02/20/2015



Rafter Detail



Door Framing

Screw corners and center together with 4" deck screws.  
Nail on panel with glue. Apply RS trim.

6 x 10 Storage Shed  
Scale: 1/2"=1'  
Drawn By: M. Spiess  
Date: 02/20/2015